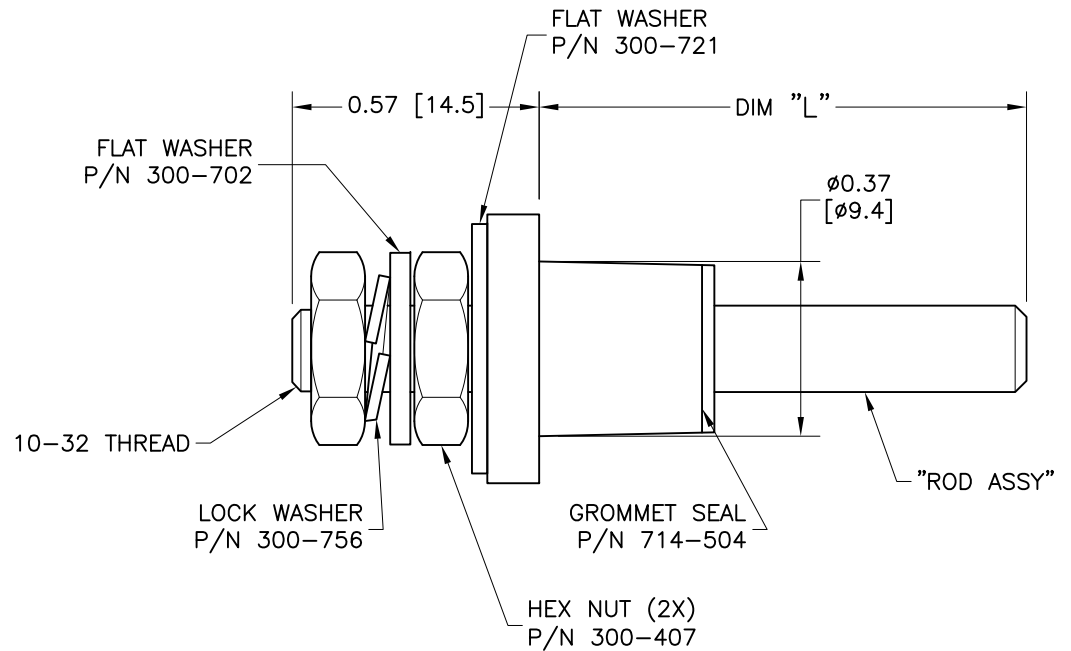


PART NO. 020-111-X

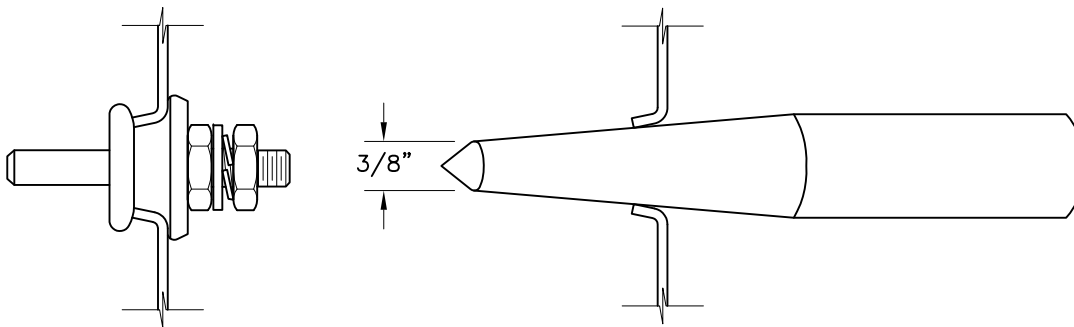
PART NO.	ROD ASSY P/N	DIM "L"
020-111-1	730-009-1	0.90 [22.9]
020-111-2	730-009-2	1.40 [35.6]
020-111-3	730-009-3	1.65 [41.9]
020-111-4	730-009-4	1.90 [48.3]
020-111-5	730-009-5	2.40 [70.0]

REFERENCE HARLAN GLOBAL
MANUFACTURING P/N 02060-1025.



INSTALLATION:

DRILL $\phi 1/4$ " HOLE AND EXPAND TO $\phi 3/8$ "



REVISIONS				
REV.	DESCRIPTION	EC#	DATE	BY
A	ADDED INSTALLATION INSTRUCTIONS	-	01/18/94	SH
B	REVISE PER ECR#	ECR-190	10/06/95	TM

TOLERANCES	
UNLESS OTHERWISE SPECIFIED:	
DIMENSIONS ARE IN INCHES, METRIC EQUIVALENTS ARE IN [BRACKETS]:	
.X	= .030 [0.76]
.XX	= .010 [0.25]
.XXX	= .005 [0.13]
FRACTIONS = 1/32	
ANGLES = $\pm 1^\circ$	
SCALE:	NONE

HI HEWITT INDUSTRIES OF LOS ANGELES

TITLE: COOLANT SENSOR ASSY.

DRAWN BY: J.A. PART NO. 020-111-X

APPR. BY: DATE: 11/22/93 SHEET 1 OF 1

B