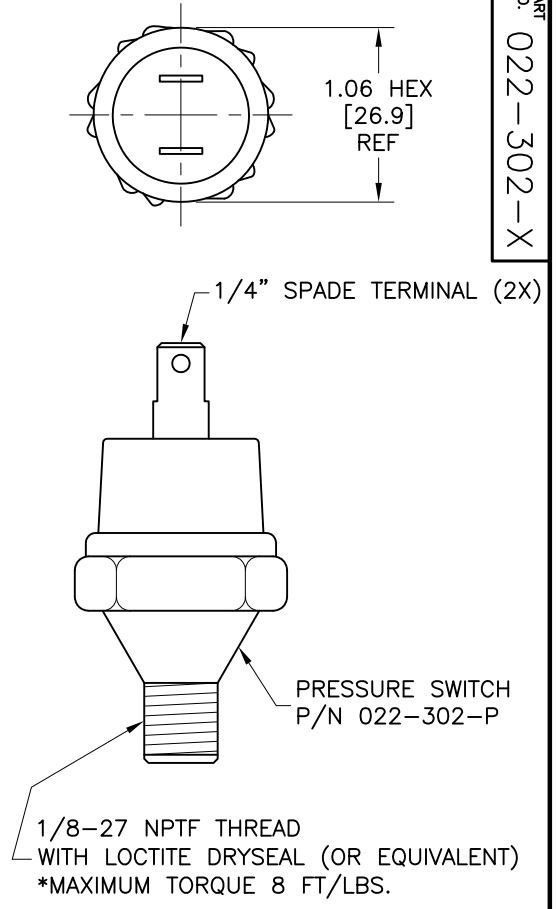


PRESSURE SWITCH ASSY. WITH BUTT CONN. TERMINATION
P/N 022-302



STANDARD PRESSURE SWITCH
PURCHASED PART, P/N 022-302-P

PART NUMBER KEY: 022-302-X

SWITCH BASE P/N →

022-302: PRESSURE SWITCH ASSY WITH BUTT CONN. TERM.
022-302-P: PURCHASED PART,
(HONYWELL-FASCO P/N 1749-2159 Q1197)

SPECIFICATIONS:

1. TWO TERMINAL, NORMALLY CLOSED SWITCH.
2. SWITCH TO CLOSE ON DECREASE IN PRESSURE AT 30 ±3 PSI.
3. SWITCH TO BE OPEN ABOVE 33 PSI.
4. OPERATING PRESSURE RANGE: 0-250 PSI.
5. OPERATING TEMPERATURE RANGE: -40°F TO 250°F.
6. CURRENT RATING: 8 AMP AT 12 VDC.

A

REVISIONS					TOLERANCES		HEWITT INDUSTRIES OF LOS ANGELES	
REV.	DESCRIPTION	EO#	DATE	BY	UNLESS OTHERWISE SPECIFIED:		TITLE:	
A	REVISED PER ECO #	ECO 403	03/19/08	EGM	DIMENSIONS ARE IN INCHES, METRIC EQUIVALENTS ARE IN [BRACKETS]:		PRESSURE SWITCH	
					.X = .030 [0.76]		DRAWN BY: E. MARIANO PART NO. 022-302-X	
					.XX = .010 [0.25]		APPR. BY: D. WISHART	
					.XXX = .005 [0.13]		DATE: 03/19/08 SHEET 1 OF 1	
					FRACTIONS = 1/32			
					ANGLES = ±1°			
					SCALE: NONE			