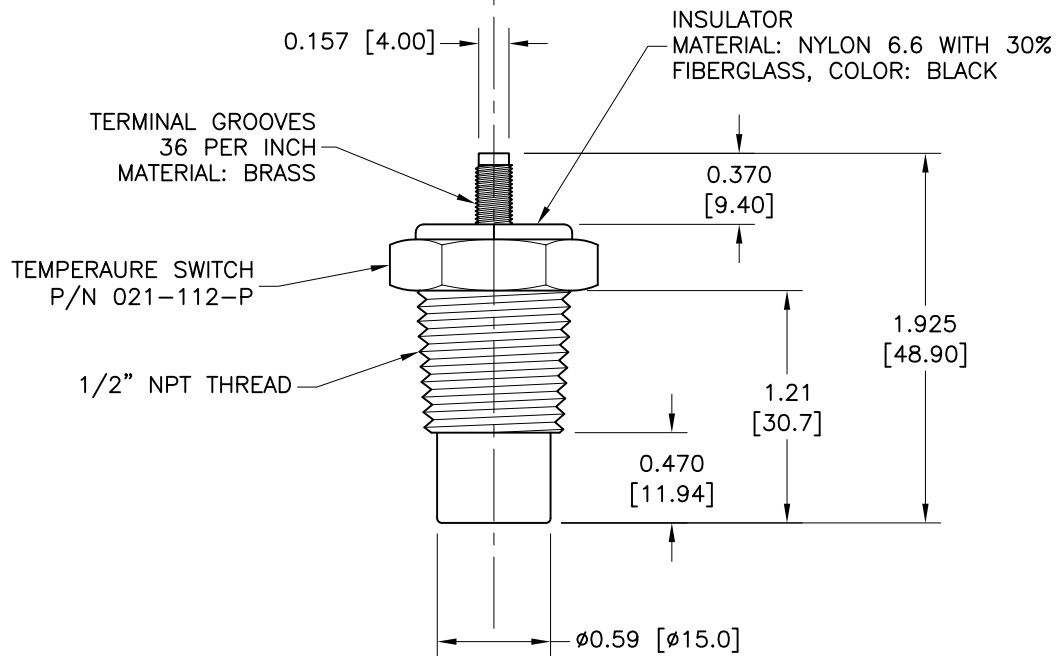
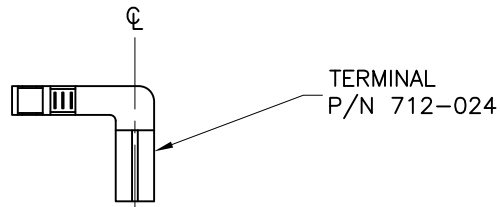
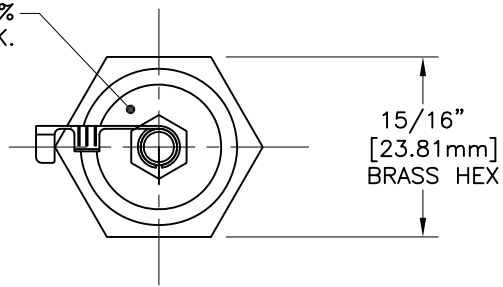


INSULATOR
MATERIAL: NYLON 6.6 WITH 30%
FIBERGLASS, COLOR: BLACK.



NOTES:

1. NORMALLY OPEN SNAP-ACTING TEMPERATURE SWITCH.
2. CLOSURES ON TEMPERATURE RISE AT 110°C±3°C (230°F).
3. CURRENT RATING OF 0.5 AMPS RESISTIVE OR INDUCTIVE AT 12 VDC.
4. HOUSING MATERIAL: BRASS. INSULATOR MATERIAL: NYLON WITH 30% FIBERGLASS, COLOR BLACK.
5. DIMENSIONS ARE FOR REFERENCE ONLY.

REVISIONS					TOLERANCES		HEWITT INDUSTRIES OF LOS ANGELES	
REV.	DESCRIPTION	EO#	DATE	BY	UNLESS OTHERWISE SPECIFIED:		TITLE:	
A	REVISED PER ECO	ECO 403	03/21/08	EGM	DIMENSIONS ARE IN INCHES, METRIC EQUIVALENTS ARE IN [BRACKETS]: .X = .030 [0.76] .XX = .010 [0.25] .XXX = .005 [0.13] FRACTIONS = 1/32 ANGLES = ±1°		TEMPERATURE SWITCH WITH TERMINAL	
B	REDRAWN AND REVISED PER ECO	ECO 652	12/05/13	JAG			DRAWN BY: J.GUERRERO	PART NO. 021-112
							APPR. BY: L.MAGANA	
					SCALE: 1/1	DATE: 11/12/13	SHEET 1 OF 1	

B