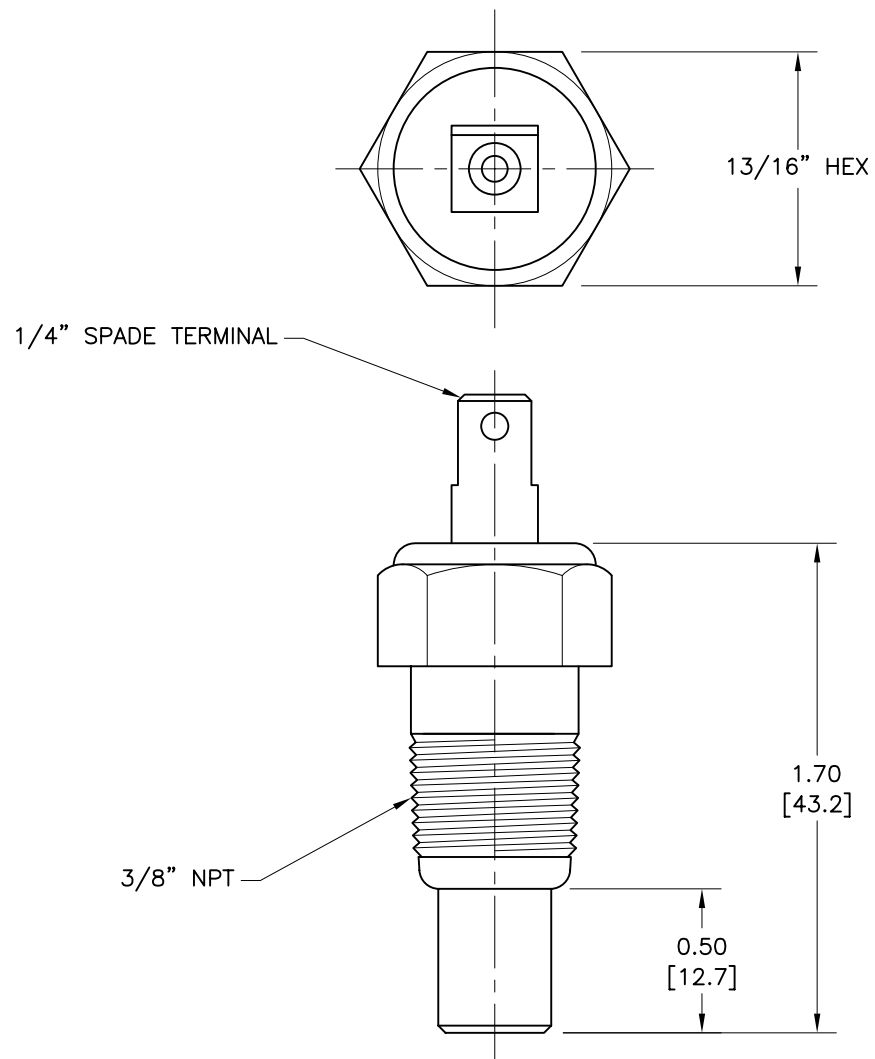


PART NO. 021-101



**NOTES:**

1. SWITCH TYPE: NORMALLY OPEN.
2. CLOSED TO GROUND ON RISE IN TEMPERATURE 24.3°F ± 7°F.
3. SWITCH IS SNAP ACTING WITH A CURRENT OF 0.5 AMPS AT 12 VDC.

| REVISIONS |                   |         |          |     | TOLERANCES   |  |  |                                  |
|-----------|-------------------|---------|----------|-----|--|--|--|----------------------------------|
| REV.      | DESCRIPTION       | EO#     | DATE     | BY  | UNLESS OTHERWISE SPECIFIED:  |  | TITLE:   |                                  |
| A         | REVISED PER ECO # | ECO 403 | 03/21/08 | EGM | DIMENSIONS ARE IN INCHES,<br>METRIC EQUIVALENTS ARE IN<br>[BRACKETS]:<br>.X = .050 [1.30]<br>.XX = .030 [0.76]<br>.XXX = .010 [0.25]<br>FRACTIONS = 1/32<br>ANGLES = ±2° |  | TEMPERATURE SWITCH   |                                  |
|           |                   |         |          |     | SCALE: NONE  |  | DRAWN BY: E.MARIANO<br>APPR. BY: D.WISHART<br>DATE: 03/21/08 | PART NO. 021-101<br>SHEET 1 OF 1 |

A