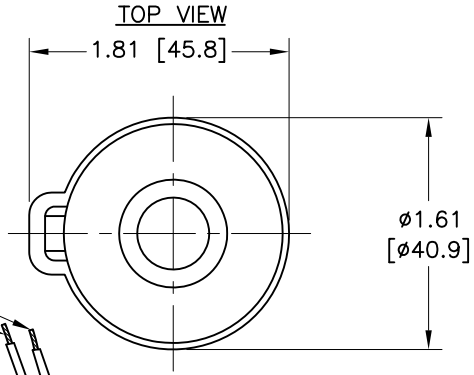
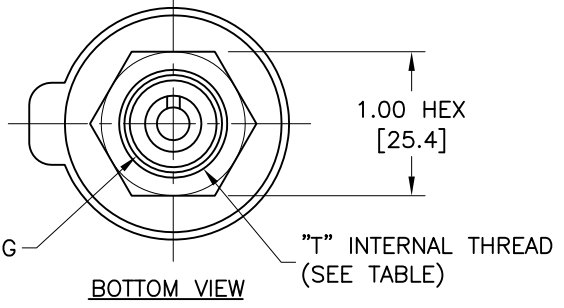
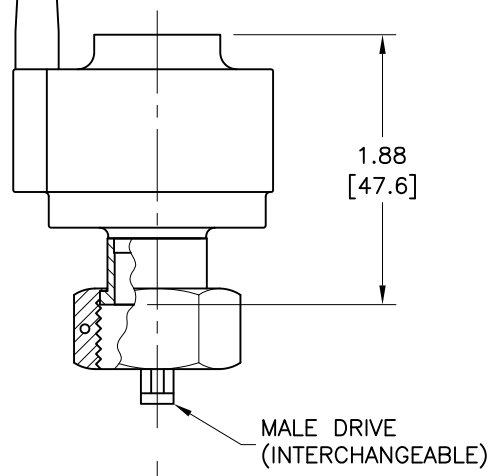
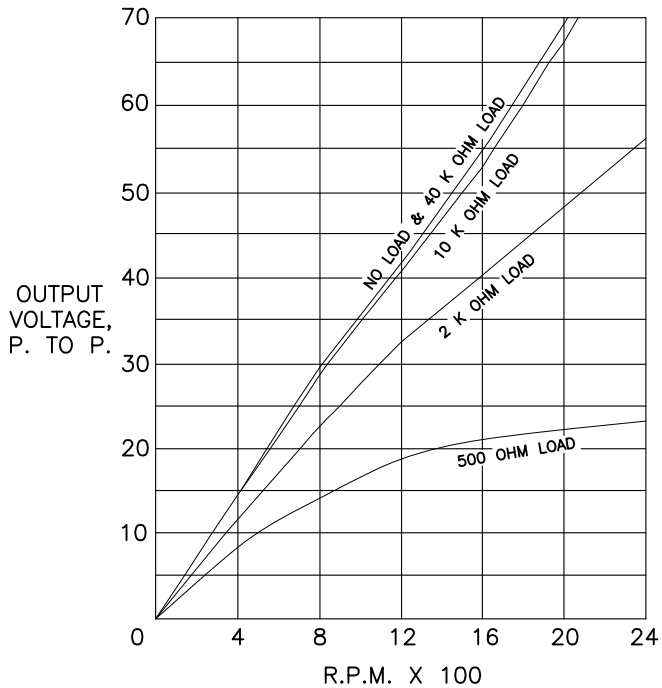


TABULATION BLOCK			
PART NO.	DRIVE SIZE	"T" THREAD SIZE	TANG P/N
023-204-A	0.104" SQUARE	7/8-18	760-260
023-204-B	0.150" SQUARE	7/8-18	760-261
023-204-C	0.187" SQUARE	7/8-18	760-262
023-204-D	0.152" ROUND	7/8-18	760-263
023-204-E	0.187" ROUND	7/8-18	760-264
023-204-F	0.203" ROUND	7/8-18	760-265
023-204-G	DIN	22mm X 1.5	-
023-204-H	0.187" ROUND	22mm X 1.5	760-264



④ TO COIL #1 [YELLOW 14" [356mm]
RED 12" [305mm]

④ TO COIL #2 [BLACK/RED 8" [203mm]
BLACK 10" [254mm]



SPECIFICATIONS:

1. FREQUENCY: 8 PULSES PER REVOLUTION.
2. DC SOURCE IMPEDANCE: 285 OHMS ±10 OHMS.
3. INDUCTANCE: 107mH AT 1000Hz.
4. HOUSING MATERIAL: GLASS FILLED NYLON.
5. BEARING: DOUBLE-OILITE.
6. LEAD WIRES: 18 AWG., 16/19 STRANDED.

NOTES:

1. SINGLE OUTPUT GENERATOR ALSO AVAILABLE.
 2. SPECIAL LENGTHS AND CONNECTORS AVAILABLE.
 3. AVAILABLE IN DIN, M22 X 1.5 METRIC THREAD.
- ④ NO POLARITY FOR EACH LEAD WIRE PAIR. ON EACH PAIR OF LEAD WIRES: ONE LEAD WIRE TO SIGNAL, THE OTHER LEAD WIRE TO GROUND.

B

REVISIONS					TOLERANCES		HEWITT INDUSTRIES OF LOS ANGELES	
REV.	DESCRIPTION	EO#	DATE	BY	UNLESS OTHERWISE SPECIFIED:		TITLE:	
1	ENGINEERING RELEASE	-	09/15/11	JAG	DIMENSIONS ARE IN INCHES, METRIC EQUIVALENTS ARE IN [BRACKETS]: .X = .030 [0.76] .XX = .010 [0.25] .XXX = .005 [0.13] FRACTIONS = 1/32 ANGLES = ±1°		SIGNAL GENERATOR, DUAL	
A	PRODUCTION RELEASE	-	09/13/12	JAG			DRAWN BY: J.GUERRERO	
B	REVISED PER ECO	ECO 740	04/11/17	JAG			APPR. BY: D.WISHART	
							SCALE: 3/4	
							PART NO. 023-204-X	
							SHEET 1 OF 1	