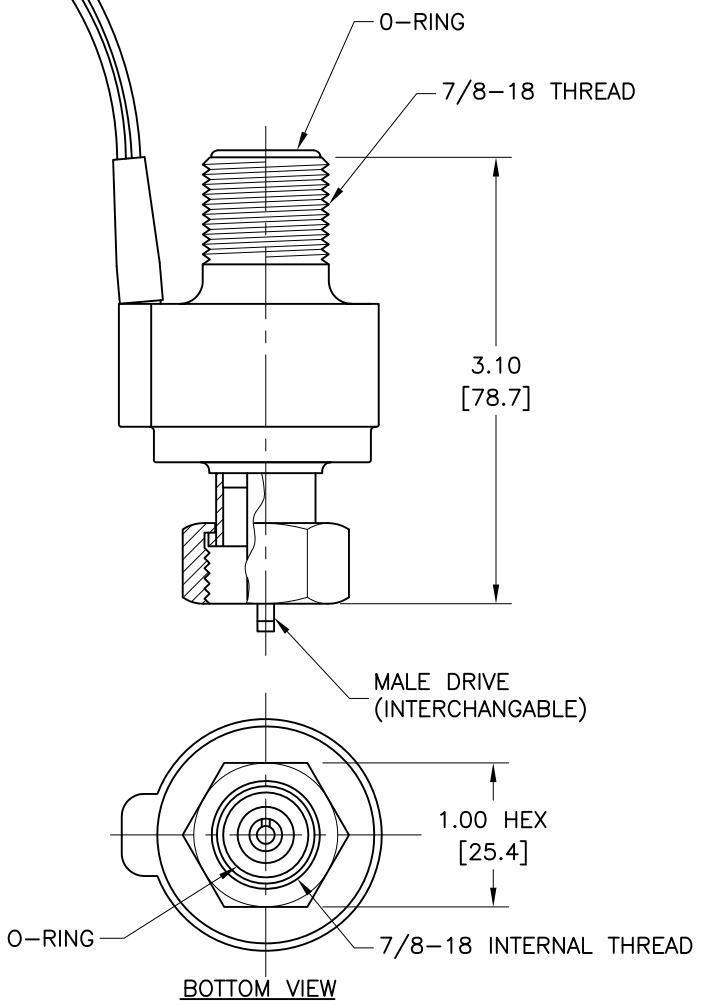
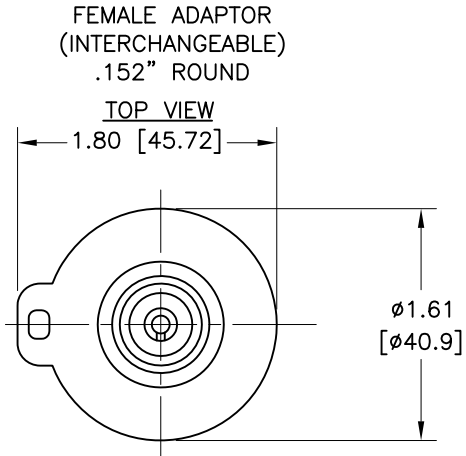
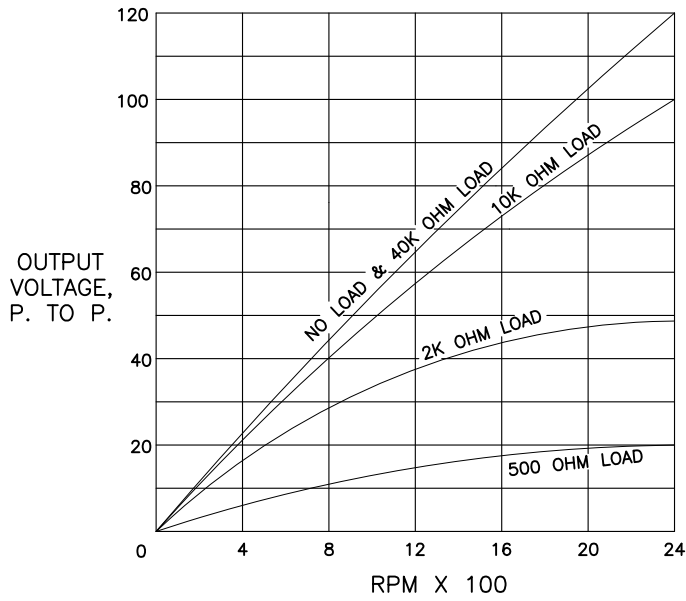


PART NO. 023-011-X

TABULATION BLOCK

PART NO.	DRIVE SIZE	"T" THREAD SIZE	TANG P/N
023-011-D	0.152" ROUND	7/8-18	760-263
023-011-E	0.187" ROUND	7/8-18	760-264

10" [254mm] LONG
8" [203mm] LONG



SPECIFICATIONS:

1. FREQUENCY: 6 PULSES PER REVOLUTION.
2. DC SOURCE IMPEDANCE: 795 OHMS ± 10 OHMS.
3. INDUCTANCE: 301mH AT 1000Hz.
4. HOUSING MATERIAL: GLASS FILLED NYLON.
5. BEARING: DOUBLE-OILITE.
6. LEAD WIRES: 17 AWG, 16/19 STRANDED.

NOTES:

1. NO POLARITY ON LEAD WIRES. ONE LEAD WIRE TO SIGNAL, THE OTHER LEAD WIRE TO GROUND.

B

REVISIONS					TOLERANCES		HEWITT INDUSTRIES OF LOS ANGELES	
REV.	DESCRIPTION	EO#	DATE	BY	UNLESS OTHERWISE SPECIFIED:		TITLE:	
A	PRODUCTION RELEASE	-	08/01/12	JAG	DIMENSIONS ARE IN INCHES, METRIC EQUIVALENTS ARE IN [BRACKETS]:		SIGNAL GENERATOR	
B	REVISED PER ECO	ECO 740	04/11/17	JAG	.X = .030 [0.76] .XX = .010 [0.25] .XXX = .005 [0.13]		DRAWN BY: J.GUERRERO PART NO. 023-011-X	
					FRACTIONS = 1/32		APPR. BY: L.MAGANA	
					ANGLES = $\pm 1^\circ$		DATE: 08/01/12 SHEET 1 OF 1	
					SCALE: 3/4			