

PART NO. 010-213-XX-X

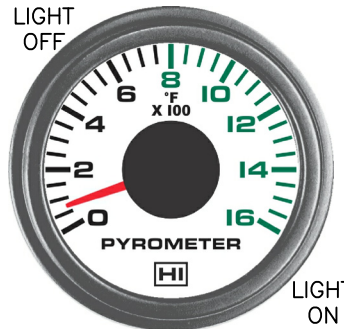
PART NO.	DIAL FACE COLORS
010-213-1X-X	BLACK BACKGROUND, WHITE CHARACTERS, WHITE ILLUMINATION
010-213-2X-X	WHITE BACKGROUND, BLACK CHARACTERS, GREEN ILLUMINATION
010-213-3X-X	BLACK BACKGROUND, WHITE CHARACTERS, RED ILLUMINATION
010-213-4X-X	BLACK BACKGROUND, WHITE CHARACTERS, GREEN ILLUMINATION
010-213-5X-X	BLACK BACKGROUND, WHITE CHARACTERS, BLUE ILLUMINATION

PART NO.	POINTER COLOR
010-213-XB-X	BLACK
010-213-XR-X	RED
010-213-XW-X	WHITE

PART NO.	BEZEL STYLE
010-213-XX-1	BLACK
010-213-XX-2	POLISHED
010-213-XX-3	WHITE
010-213-XX-4	BLACK, AIRCRAFT

010-213-XX-X

DIAL FACE COLORS
POINTER COLOR
BEZEL COLOR & STYLE



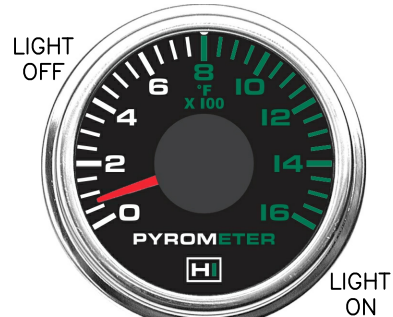
P/N 010-213-2R-1
SCALE: 3/4



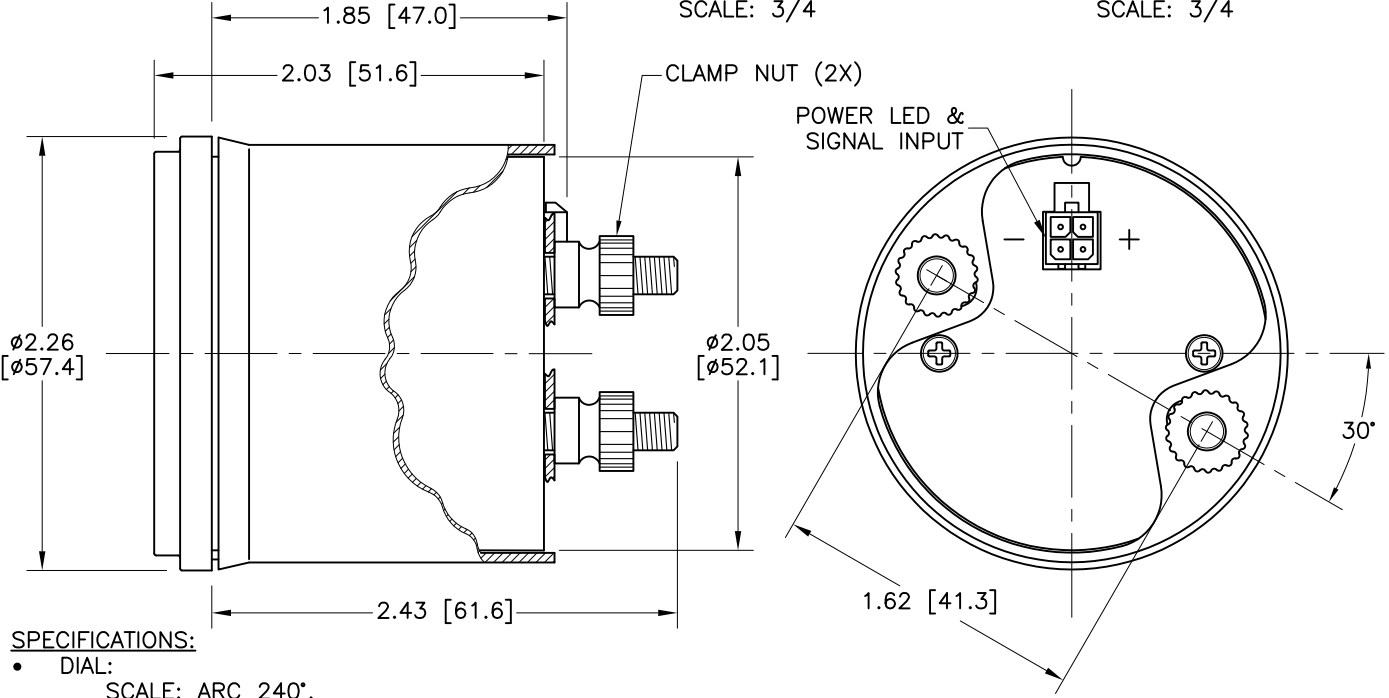
P/N 010-213-1R-1



P/N 010-213-3W-1
SCALE: 3/4



P/N 010-213-4R-2
SCALE: 3/4



SPECIFICATIONS:

- DIAL:
SCALE: ARC 240°.
RANGE: 0°F - 1600°F.
- ILLUMINATION:
INTERNAL 12 VDC (24 VDC ALSO AVAILABLE).
ILLUMINATED POINTER AND L.E.D. BACKLIT DIAL.
- POINTER COLOR:
STANDARD: RED FLUORESCENT (SEE TABLE).

REVISIONS					TOLERANCES	
REV.	DESCRIPTION	EO#	DATE	BY	UNLESS OTHERWISE SPECIFIED:	
A	PRODUCTION RELEASE	ECO 499	02/25/10	JAG	DIMENSIONS ARE IN INCHES, METRIC TOLERANCES ARE IN [BRACKETS]:	
B	REVISED PER ECO #	ECO 530	02/04/11	JAG	.X = .030 [0.25]	
C	REVISED PER ECO #	ECO 580	02/28/12	JAG	.XX = .010 [0.13]	
					.XXX = .005	
					FRACTIONS = 1/32	
					ANGLES = ±1°	
					SCALE: 1/1	

HI HEWITT INDUSTRIES OF LOS ANGELES

TITLE: 2" PYROMETER GAUGE

DRAWN BY: J.GUERRERO PART NO. 010-213-XX-X

APPR. BY: L.MAGANA

DATE: 02/25/10 SHEET 1 OF 1

C